



## ATHE9ASP455NW29

### A proven performer

From the mechanically rolled brushed finish on the hood to the 1 million button pushes during testing, you know the outside is as solid and reliable as the inside. Our electronic controls are the most durable on the market. In fact, the controls manufactured for home use are the same controls you'll find in laundromats, hotels, and other commercial applications.



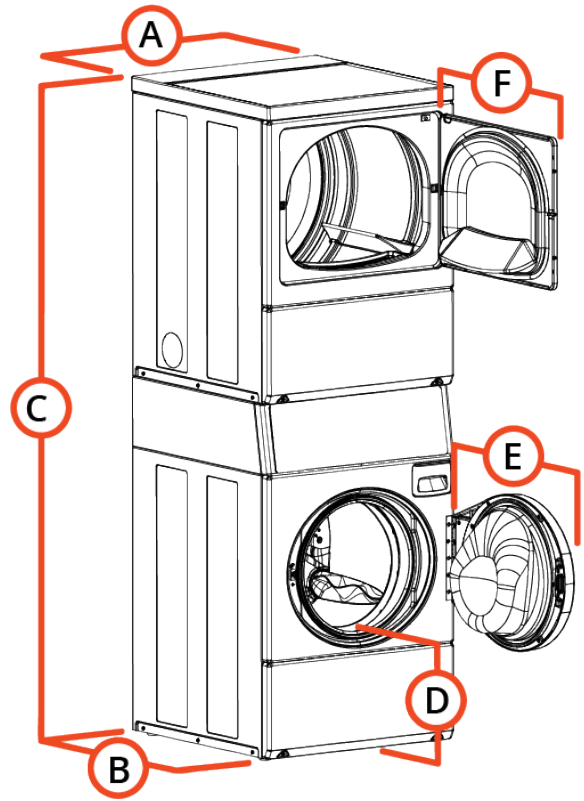
### Proven performance - Half the space

When floor space is at a premium, Speed Queen stacked washer/dryers offer the perfect solution. This convenient design allows double the capacity in the space of one machine while sacrificing nothing in performance and wash/dry quality. Designed for ultimate user convenience, these two-in-one space savers also conveniently locate controls for both washer and dryer in the middle of the machine for easy access and operation.

## Specifications

# Speed Queen Home Retail Stack Washer and Dryer

| Model                      | ATHE9ASP455NW29               |
|----------------------------|-------------------------------|
| General details            |                               |
| Control                    | HEC                           |
| Control location           | Front 10 degree               |
| Actuation                  | None                          |
| Drum                       |                               |
| Capacity kg                | 10,5 (W) / 10,5 (D)           |
| Volume l                   | W-96,8/D-198                  |
| Drum speed                 |                               |
| G-factor                   | 440                           |
| Extraction RPM             | 1200                          |
| Power                      |                               |
| Motor power kW             | W-0,67/D-0,31                 |
| Voltage                    | 220-240/50/1 (W) 230/50/1 (D) |
| Cabinet                    |                               |
| Cylinder Finish            | Stainless / Stainless         |
| Color                      | White                         |
| Door type                  | W-Window/D-Window             |
| Connections                |                               |
| Electrical requirements    | 220-240/50/1 (W) 230/50/1 (D) |
| Gas inlet connection mm    | N/A                           |
| Water inlet                | 3/4"                          |
| Water Pressure kPa         | 1,4-8,3                       |
| Transport data             |                               |
| Net weight kg              | 175                           |
| Shipping weight kg         | 189                           |
| Dimensions HxWxD mm        | 1986 x 683 x 711              |
| Packed dimensions HxWxD mm | 2032 x 762 x 864              |
| Packed volume m3           | 1,34                          |



## Dimensions

|   | mm   |
|---|------|
| A | 683  |
| B | 711  |
| C | 1986 |
| D | 371  |
| E | 610  |
| F | 597  |